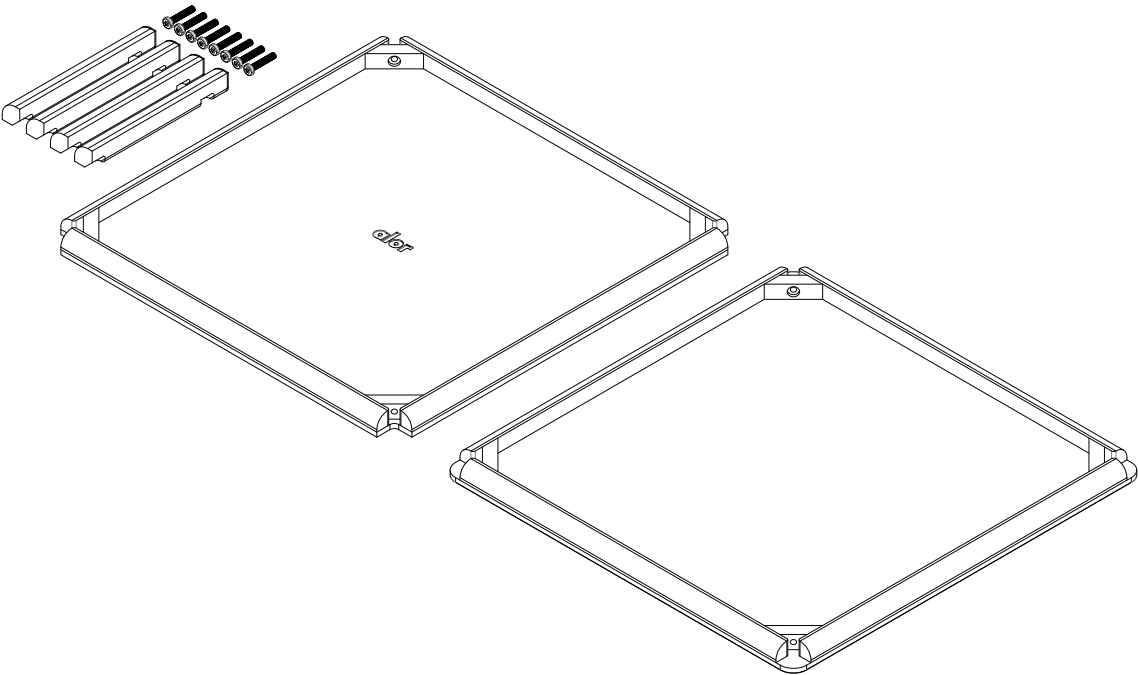


alor

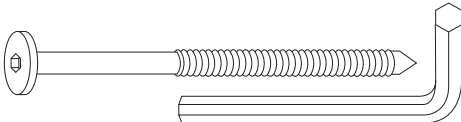
KRIS COFFEE TABLE
ASSEMBLY INSTRUCTIONS

We know what you're thinking, "not another allen key assembly".
But don't fear, this may be the simplest coffee table you've ever come
across.

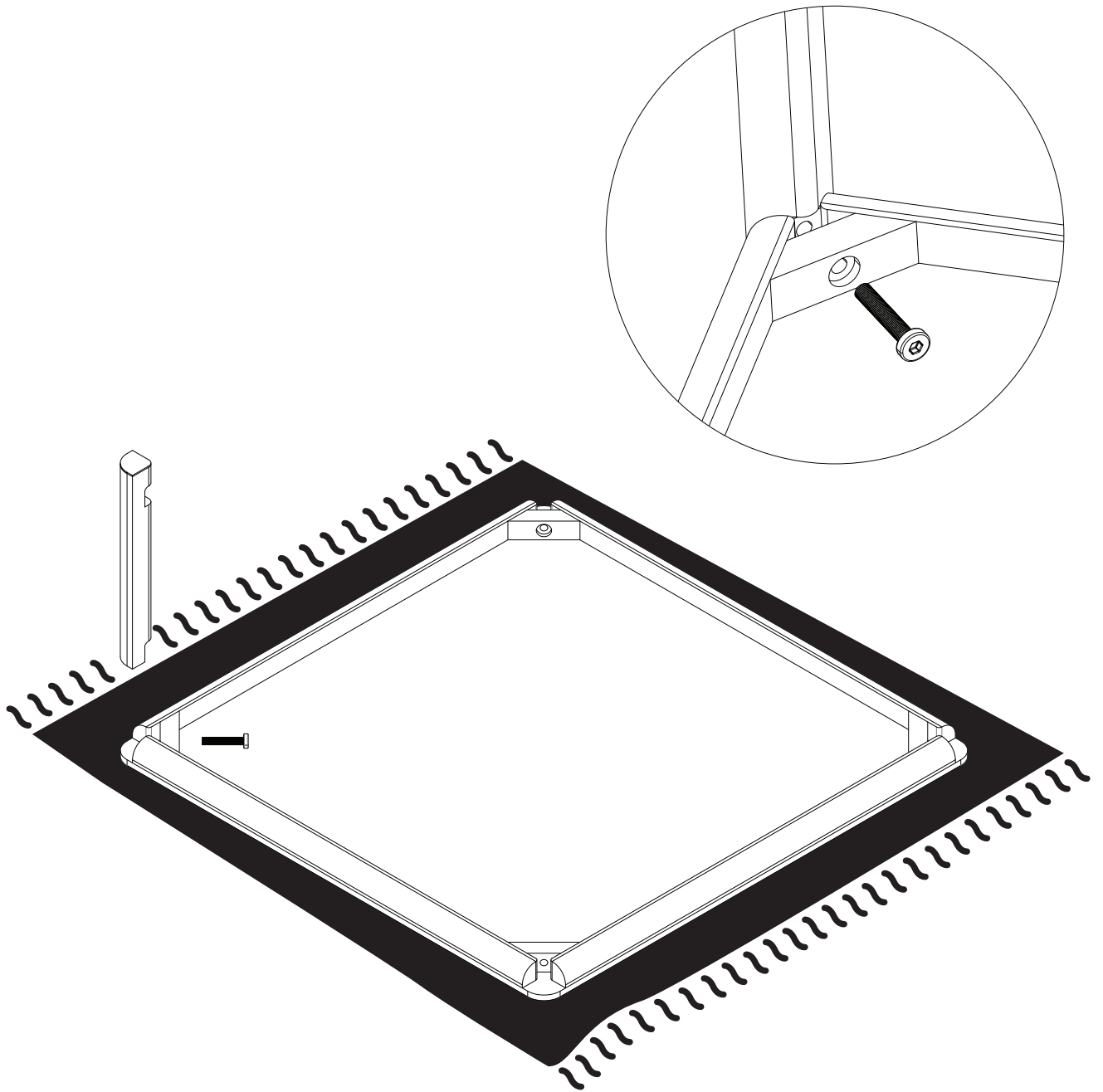
Two screws in each leg , simple as that!



X8 - M8 TIMBER SCREW

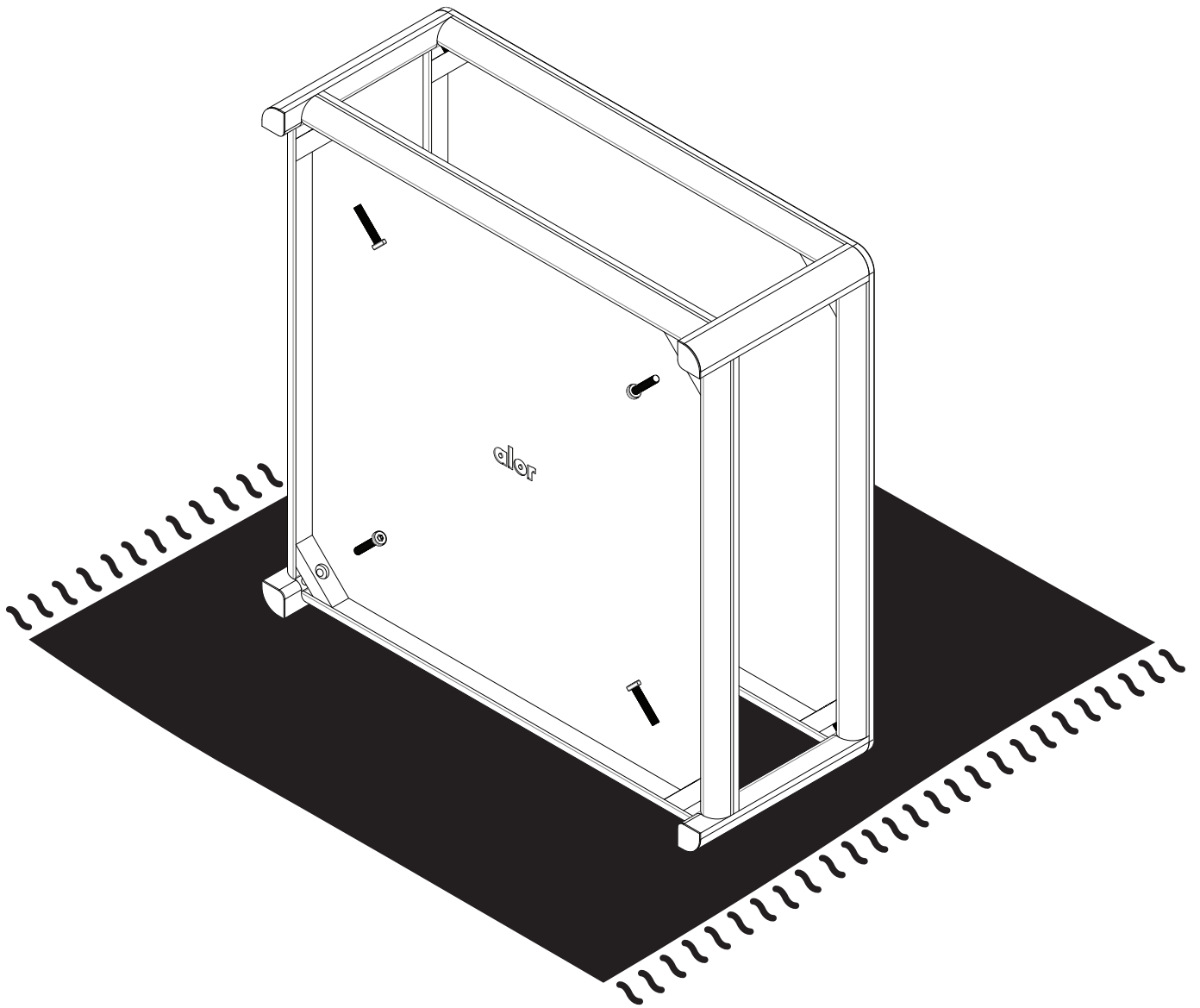


Position one leg at a time & screw



Notes:

- Assemble table on top of a rug, blanket or towel to avoid scratching or damaging the table top

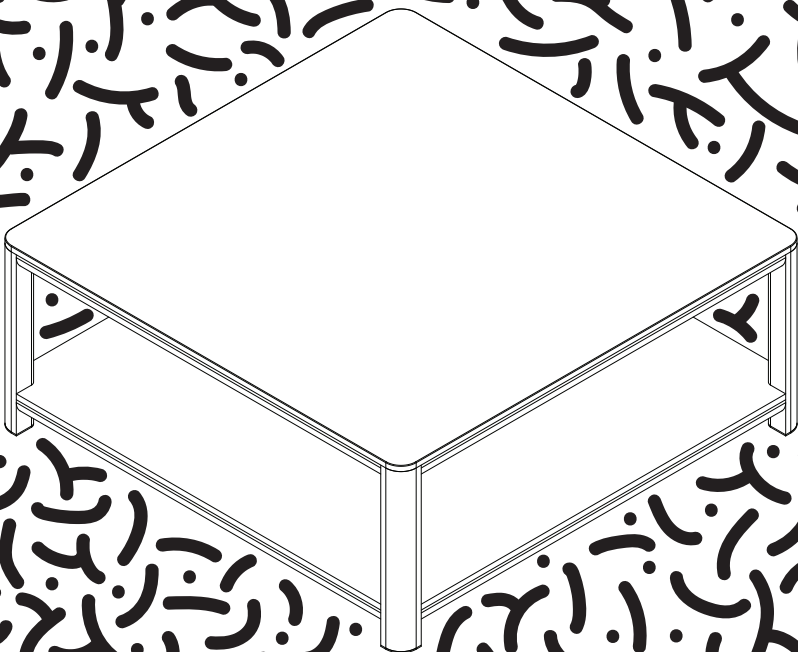


Notes:

- When legs are assembled stand table on its side and place the shelf between legs and screw into position.
 - Be sure to keep table on a soft surface to avoid any scratches to timber surfaces
- To avoid loosening over time, be sure to hold onto that Allen Key and give those screws a tighten every once in a while



TIME FOR A CUPPA



YOU'VE EARNED IT

[HTTP://ALOR.STUDIO/](http://ALOR.STUDIO/)