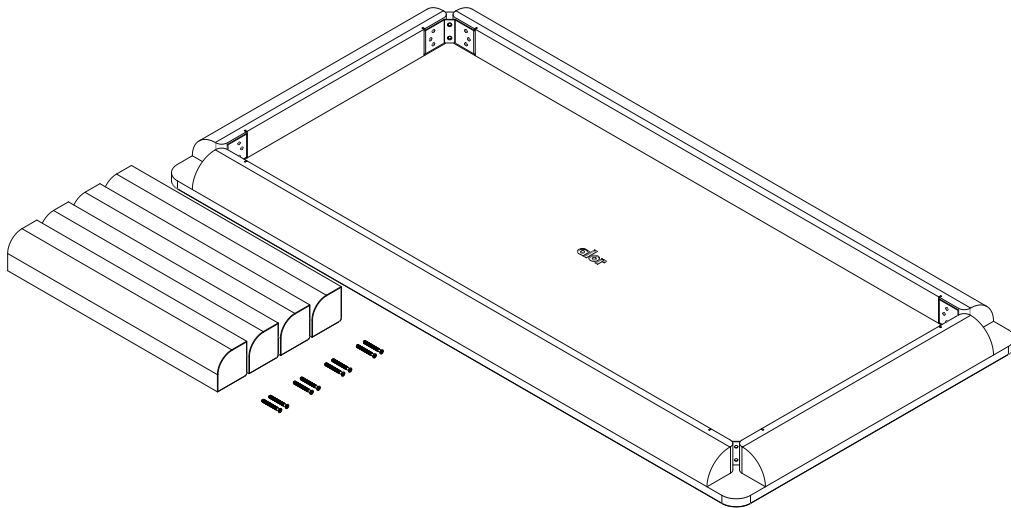


**alor**

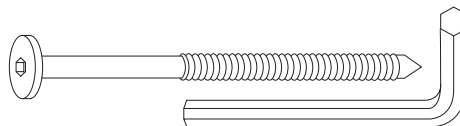
**FRANKIE DINING TABLE**  
ASSEMBLY INSTRUCTIONS

We know what you're thinking, “not another allen key assembly”.  
But don't fear, this may be the simplest dining table you've ever  
come across.

Two screws in each leg , simple as that!

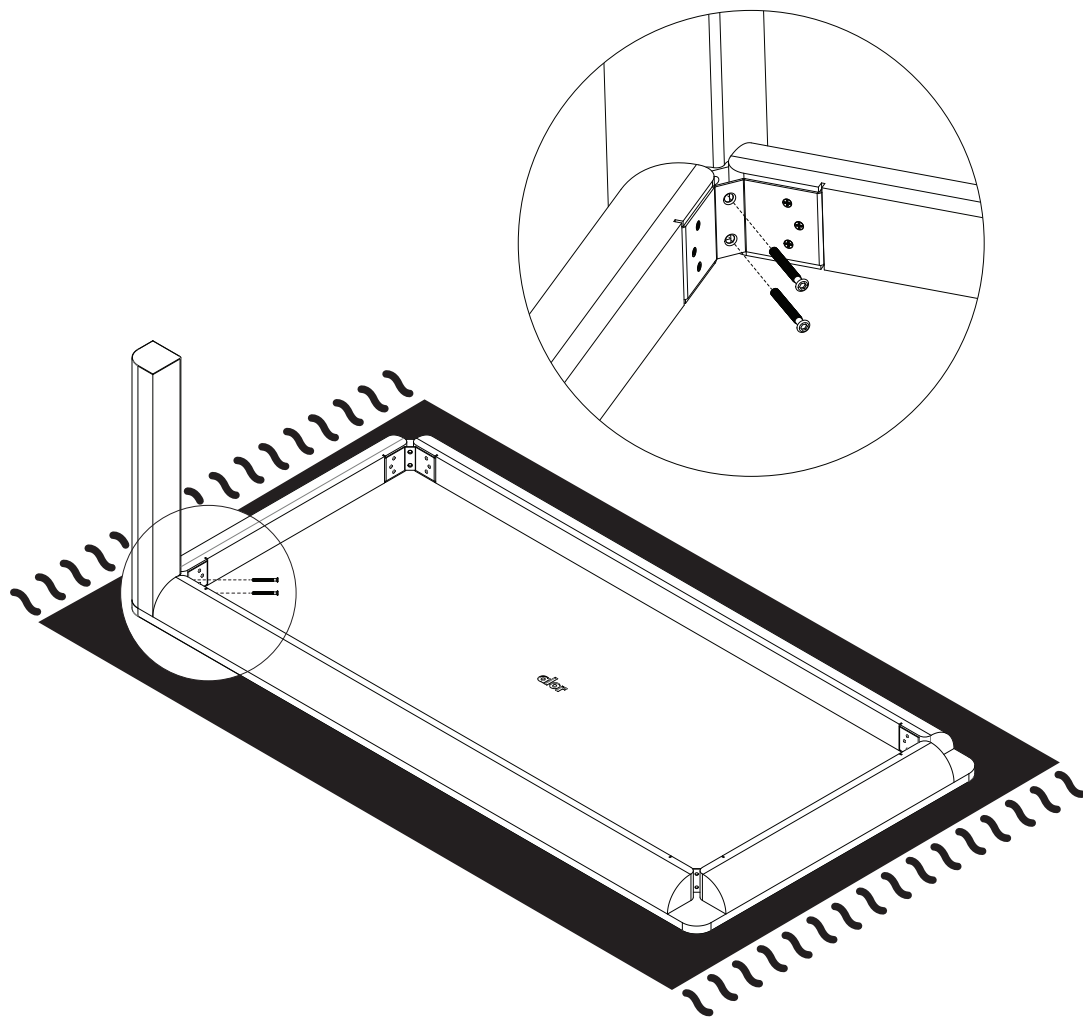


### **X8 - M8 TIMBER SCREW**



With as little psychological pain as possible, place the allen key in your hand and turn those screws.

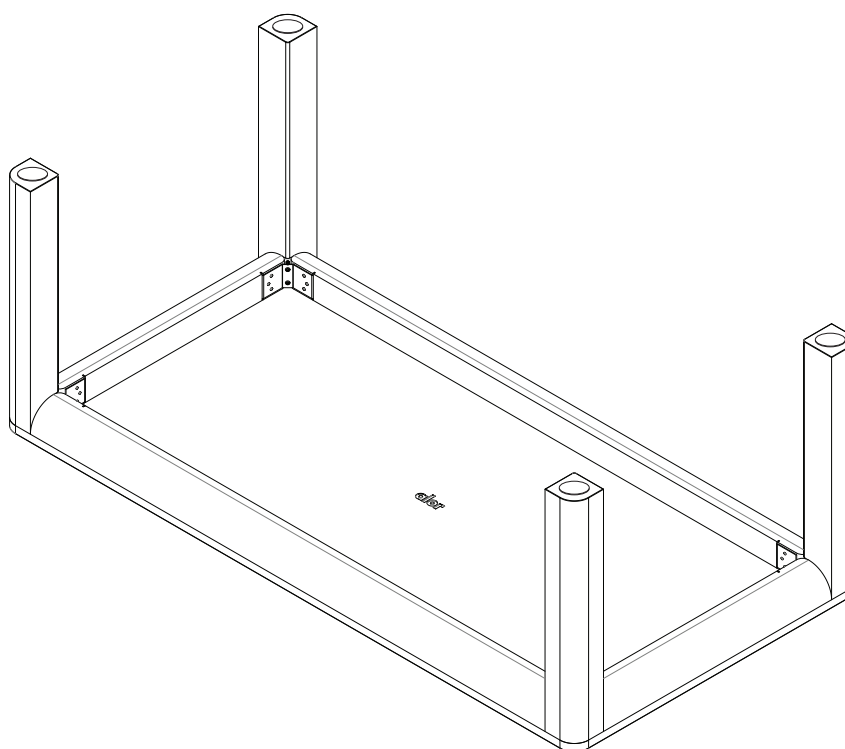
Remember, lefty loosey righty tighty



Notes:

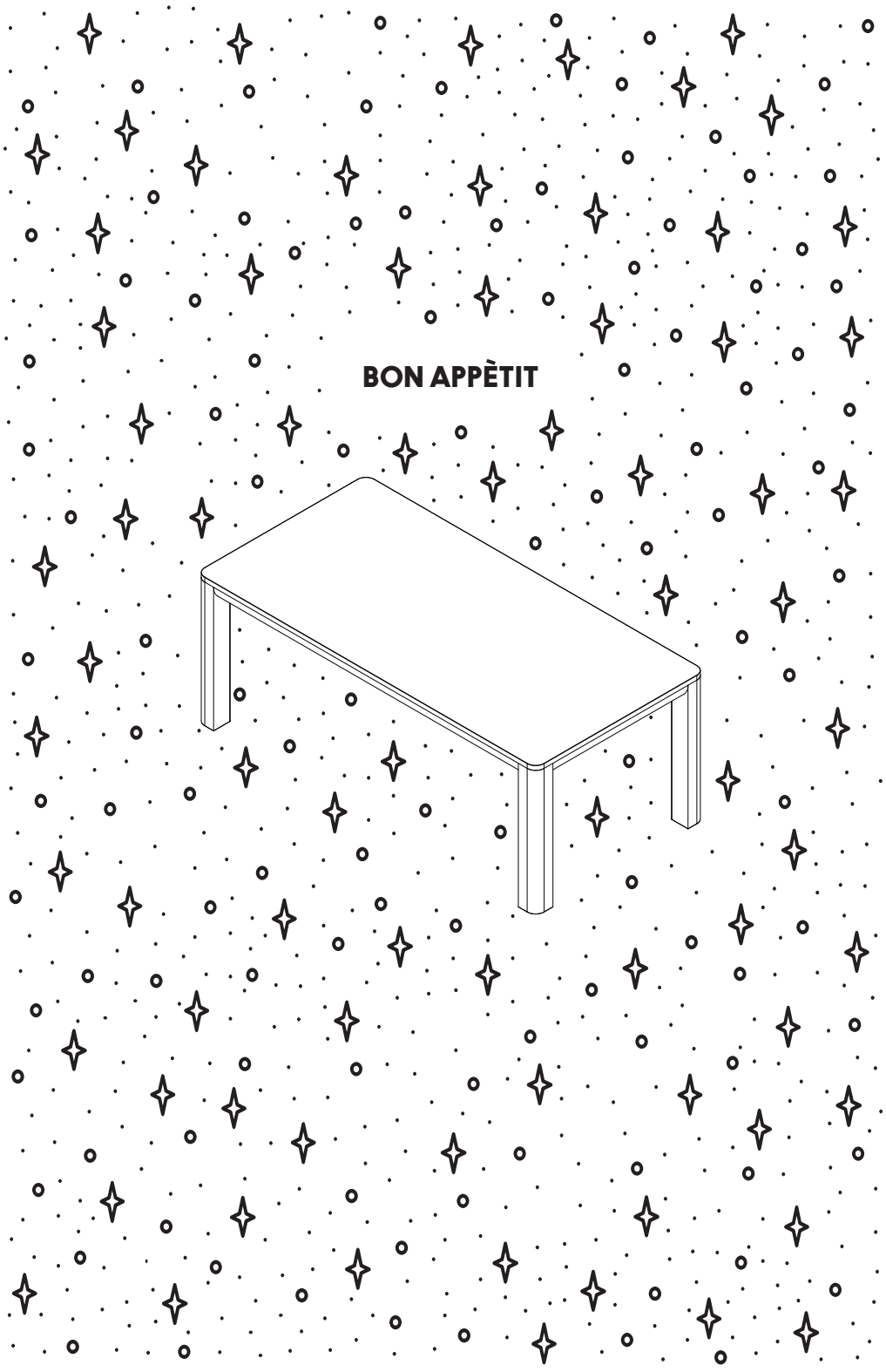
- Assemble table on top of a rug, blanket or towel to avoid scratching or damaging the table top.
- Rotate both screws for each leg loosley, to then finish by tightening them up together.

## REPEAT ASSEMBLY FOR EACH LEG



### Notes:

- When legs are assembled and tightened into position, stand the table on its site ensuring two or more people are lifting the table over onto its feet.
- To avoid loosening over time, be sure to hold onto that Allen Key and give those screws a tighten every once in a while



**BON APPÉTIT**

**[HTTP://ALOR.STUDIO/](http://ALOR.STUDIO/)**