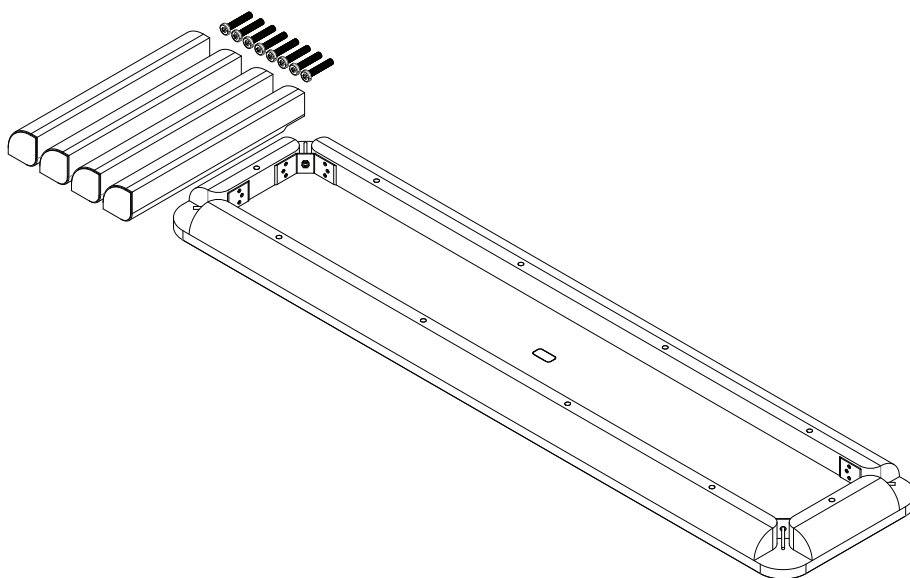


alor

BOWIE BENCH SEAT
ASSEMBLY INSTRUCTIONS

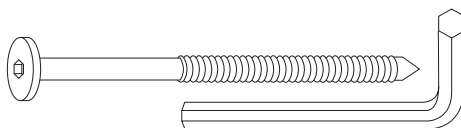
We know what you're thinking, "not another allen key assembly".
But don't fear, this may be the simplest bench seat you've ever come across.

Two screws in each leg , simple as that!

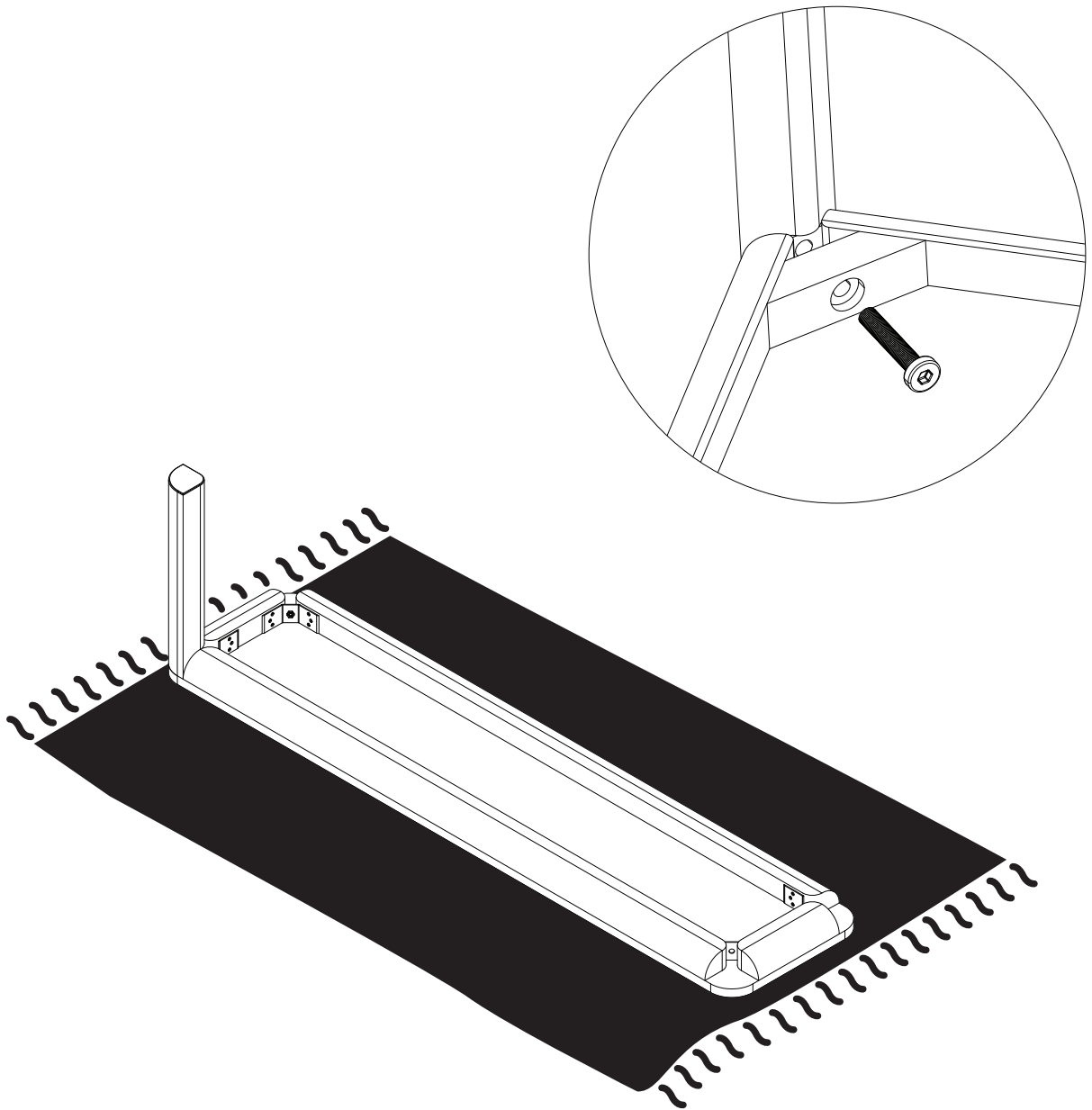


X8 - M8 TIMBER SCREW

X1 - M4 ALLEN KEY



Position one leg at a time & screw



Notes:

- Assemble bench seat on top of a rug, blanket or towel to avoid scratching or damaging the seat top
- To avoid loosening over time, be sure to hold onto that Allen Key and give those screws a tighten every once in a while



[HTTP://ALOR.STUDIO/](http://ALOR.STUDIO/)